

Reliable access controller for your building

The Akuvox A094S is a 4 door access controller with Ethernet interface. It supports 50,000 users and various functions that enable you to control who comes into your building. And the backup battery and tamper proof design makes that more secure and reliable.

At a Glance

- Stylish appearance;
- Supports TCP/IP communication and web interface for management;
- Supports up to 50,000 users and 100,000 logs presenting records;
- Supports multi-door interlock function and anti-pass back function;
- Supports RS485, Wiegand protocol for accessing card readers;
- Support emergency door release (EDR);
- Support tamper proof alarm;
- Easy to establish large-scale access control system with Akuvox ACMS;
- Back up battery design;

**Physical & Power**

- Front panel: SGCC
- Power input: 100~240VAC/1.5A 50/60Hz
- Wiegand port: 4
- Relays out: 8
- Input: 13
- RS485 port: 4
- Power output: 4
- Ethernet port: RJ45, 10/100 Mbps, adaptive
- Tamper proof alarm: Support
- Status lights: Support
- Backup battery: Support
- Installation: Wall-mounted
- Dimension: 365 x 340 x 85 (mm)
- Working Humidity: 10%~90%
- Working Temperature: -10°C ~ +55°C
- Storage Temperature: -20°C ~ +70°C

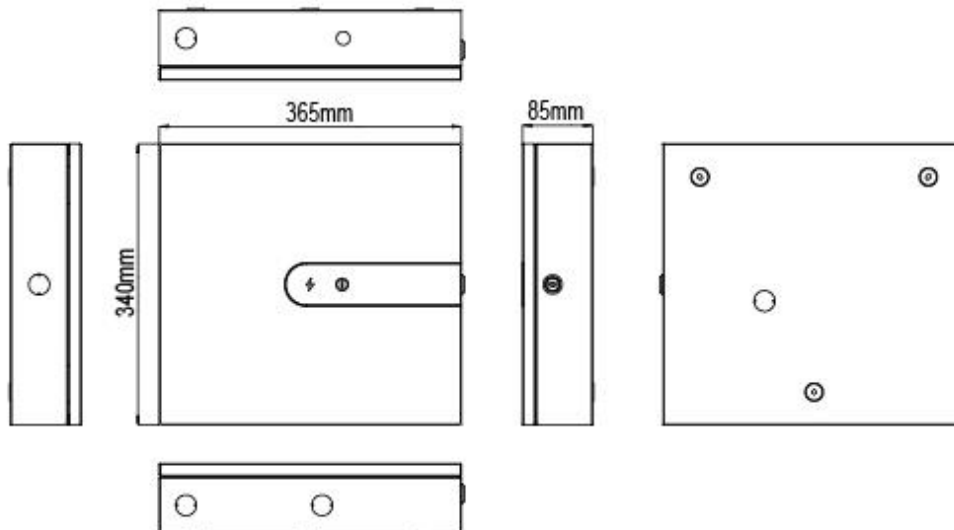
Door Entry Feature

- 50,000 user storage
- Anti-pass back function
- Multi-door interlock function
- Access table export & import
- Access level management
- Door access logs query and export

Card Readers

- Support Wiegand 26/34/58 readers
- Support RS485 readers

Dimension



Networking

- Protocols support: IPv4, HTTP, HTTPS, FTP, TFTP, SNMP, DNS, SNTP, TCP, UDP, TLS, ICMP, DHCP, ARP

Deployment & Maintenance

- Auto-Provisioning
- Web management portal
- Web-based packet dump
- Configuration backup / restore
- Firmware upgrade
- System logs