

Applicable Model

R23C
(Flush Mounting)

Drawing Title

Intercom Panel

Drawing Unit

mm

Drawing Scale

Not to scale

**DRAFT
SUBJECT TO
CHANGE**

Last Revised

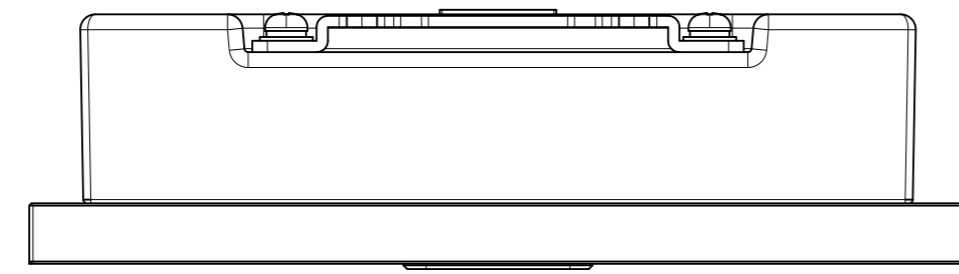
December 31,2019

Drawing Version

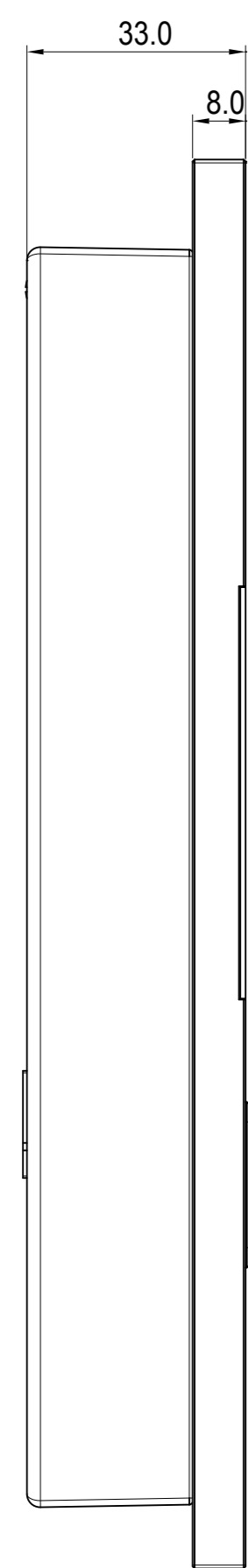
V1.0

Page

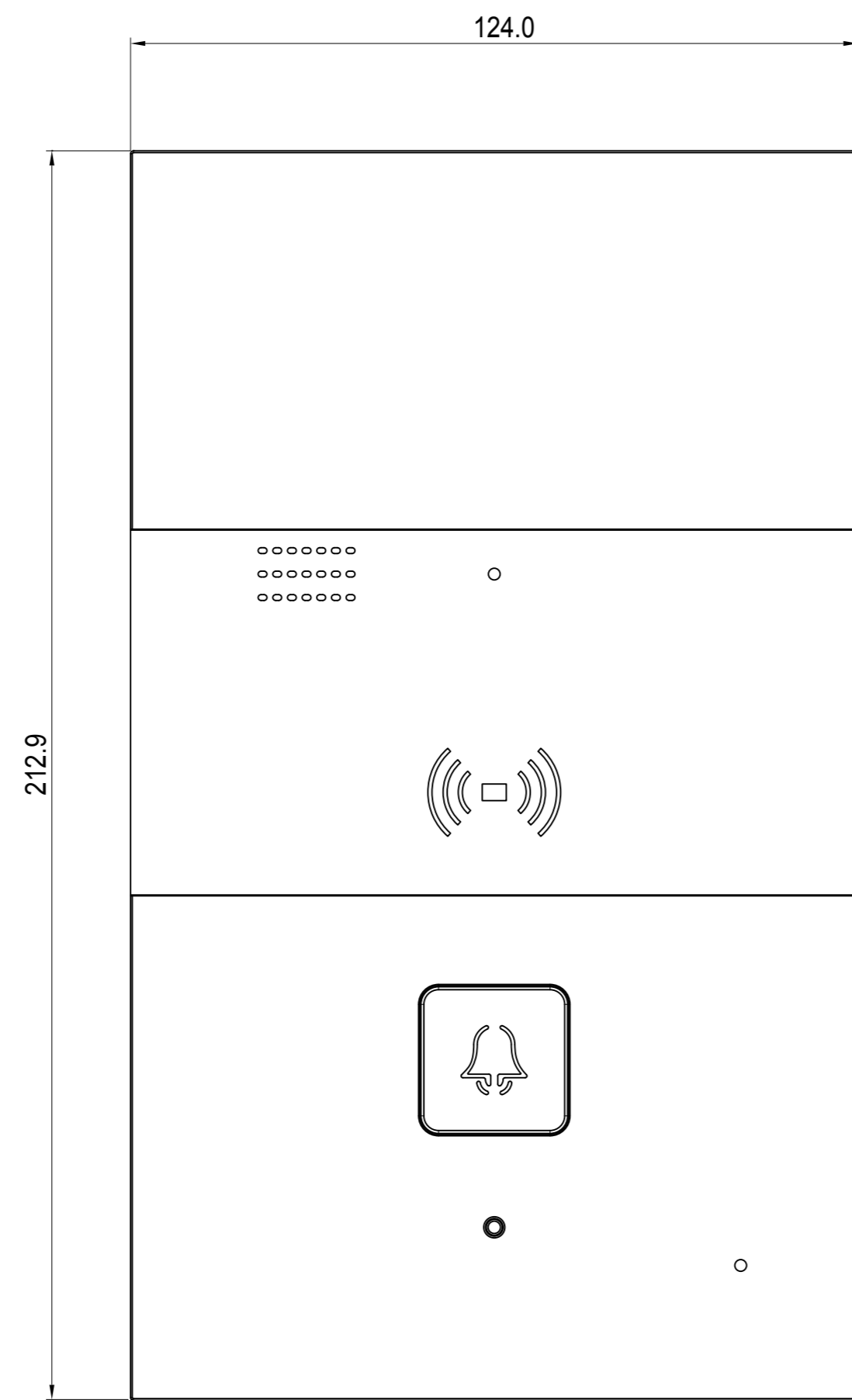
1 of 4



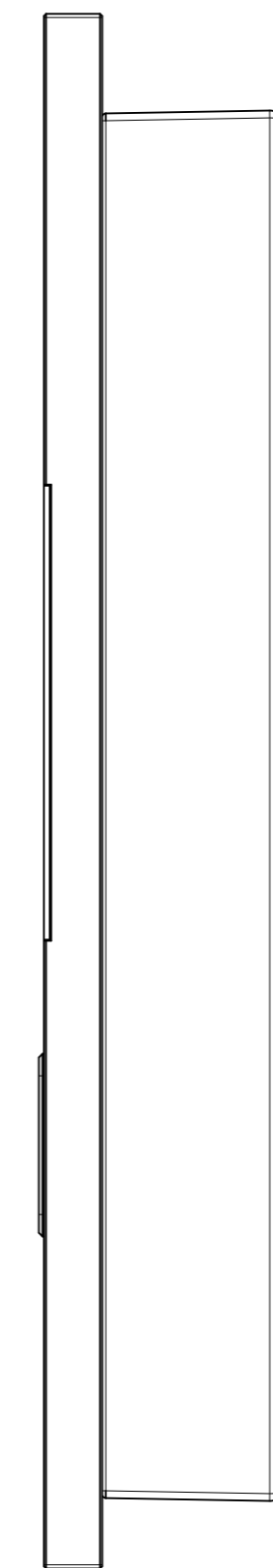
5 TOP VIEW



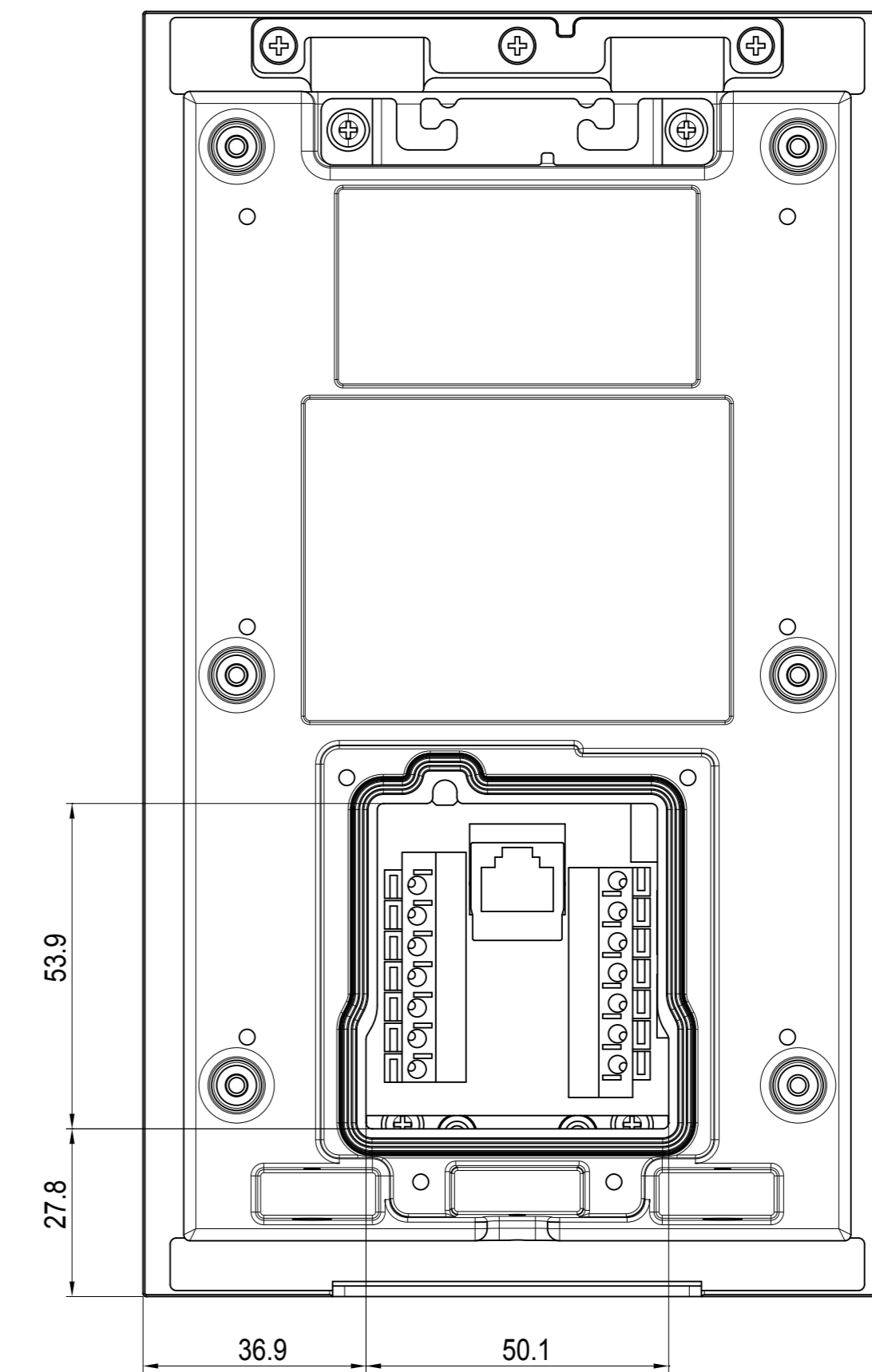
2 RIGHT VIEW



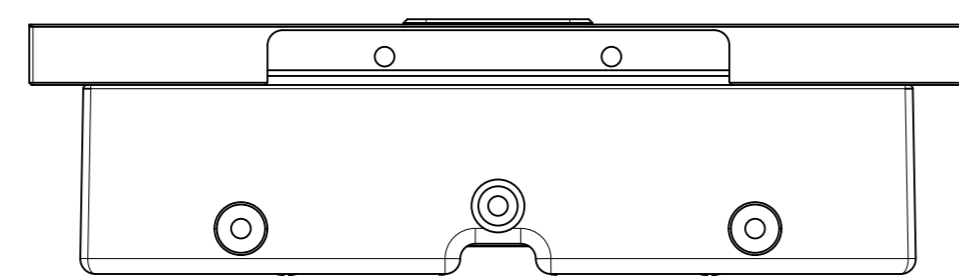
1 FRONT VIEW



3 LEFT VIEW



4 BACK VIEW



6 BOTTOM VIEW

Applicable Model

R23C
(Flush Mounting)

Drawing Title

Flush Mounting Bracket

Drawing Unit

mm

Drawing Scale

Not to scale

**DRAFT
SUBJECT TO
CHANGE**

Last Revised

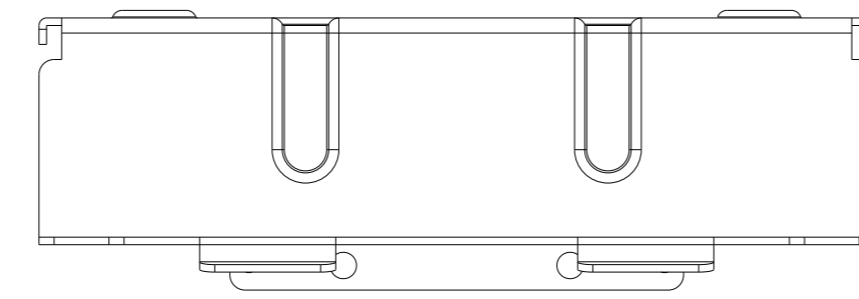
December 31,2019

Drawing Version

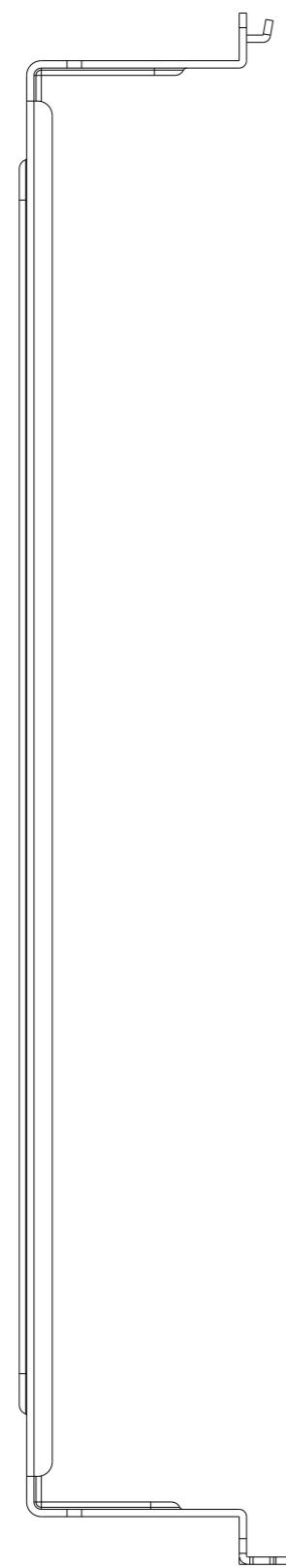
V1.0

Page

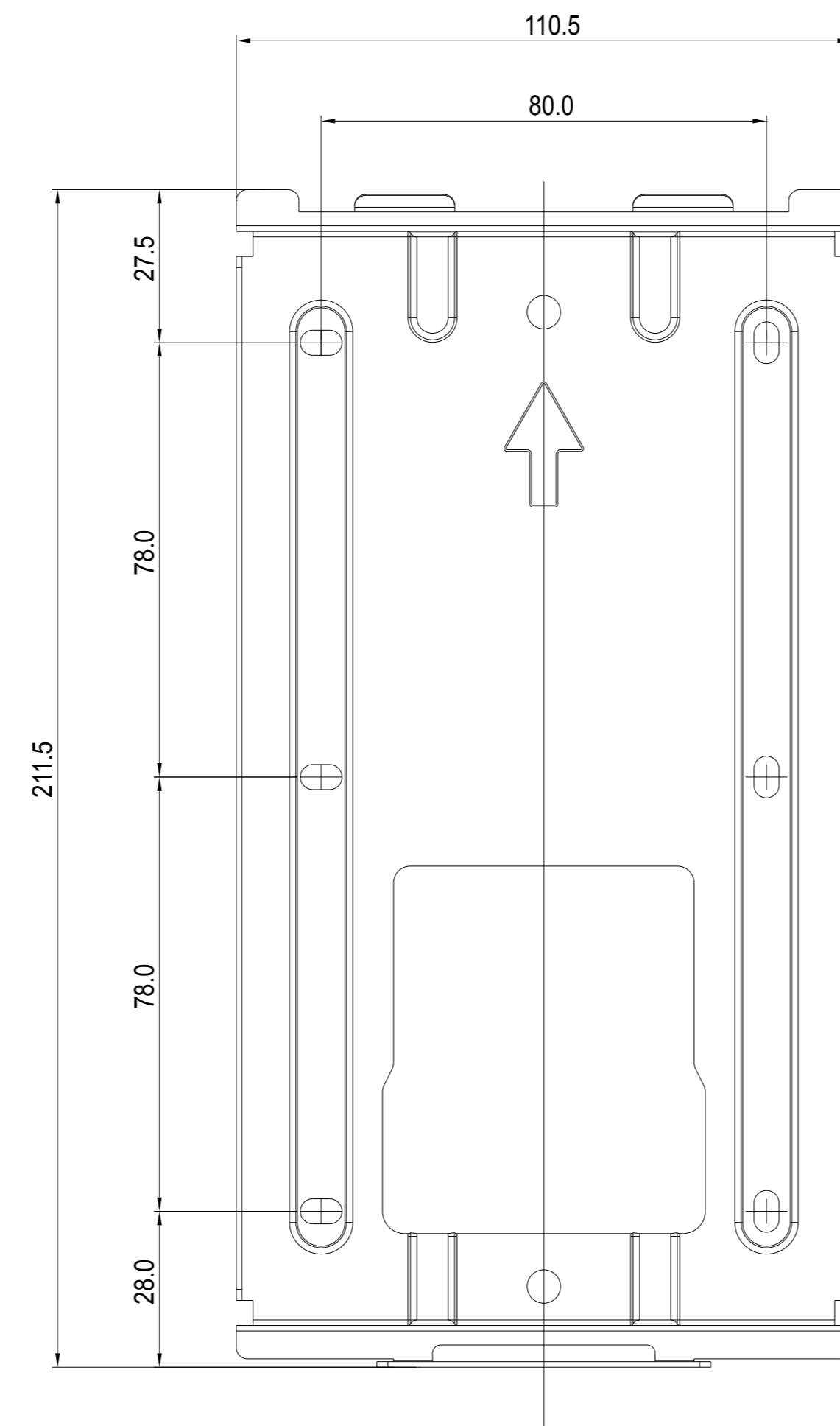
2 of 4



5 TOP VIEW



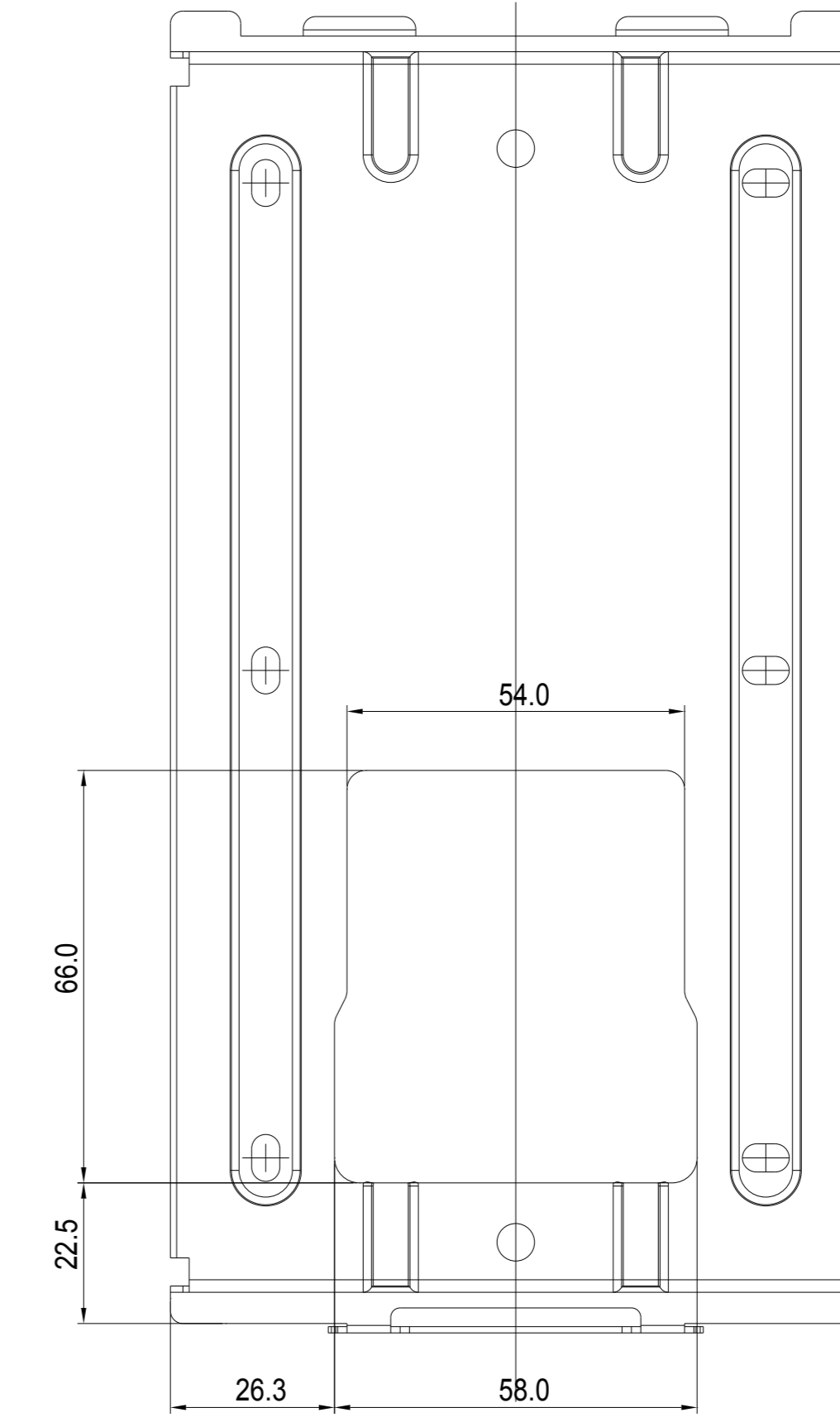
2 RIGHT VIEW



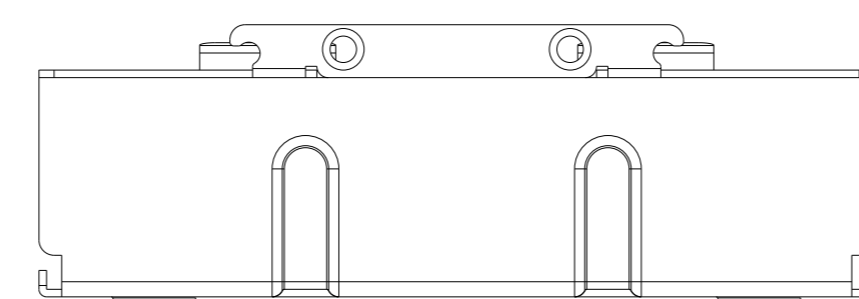
1 FRONT VIEW



3 LEFT VIEW



4 BACK VIEW



6 BOTTOM VIEW

Applicable Model

R23C
(Flush Mounting)

Drawing Title

Flush Mounting Box

Drawing Unit

mm

Drawing Scale

Not to scale

**DRAFT
SUBJECT TO
CHANGE**

Last Revised

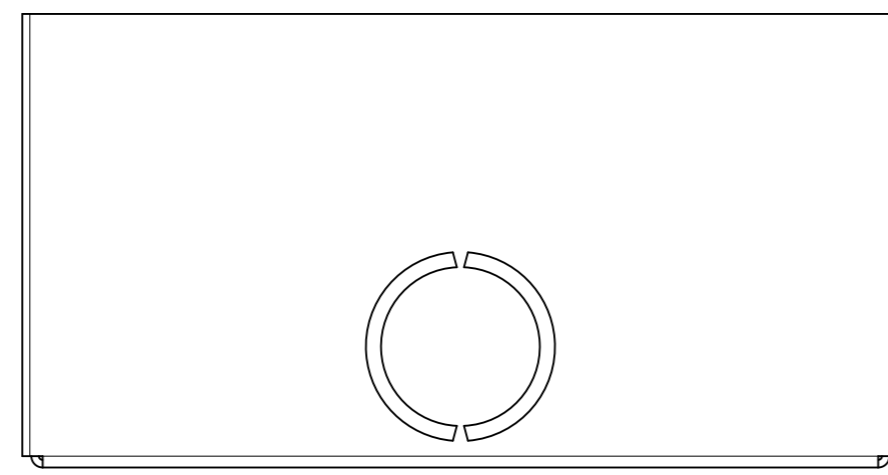
December 31,2019

Drawing Version

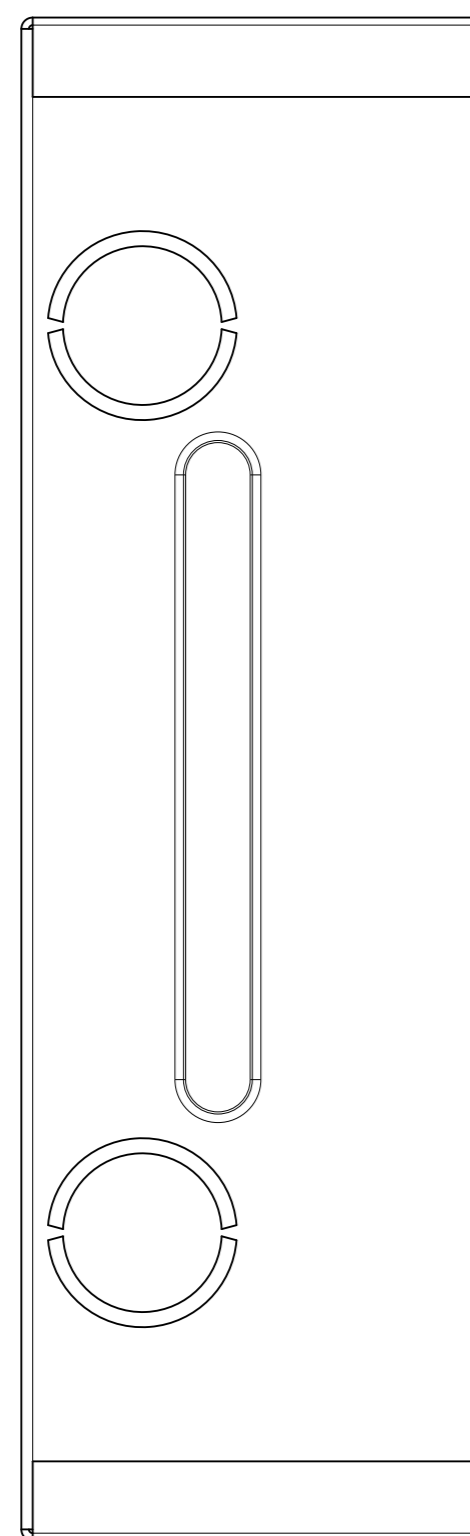
V1.0

Page

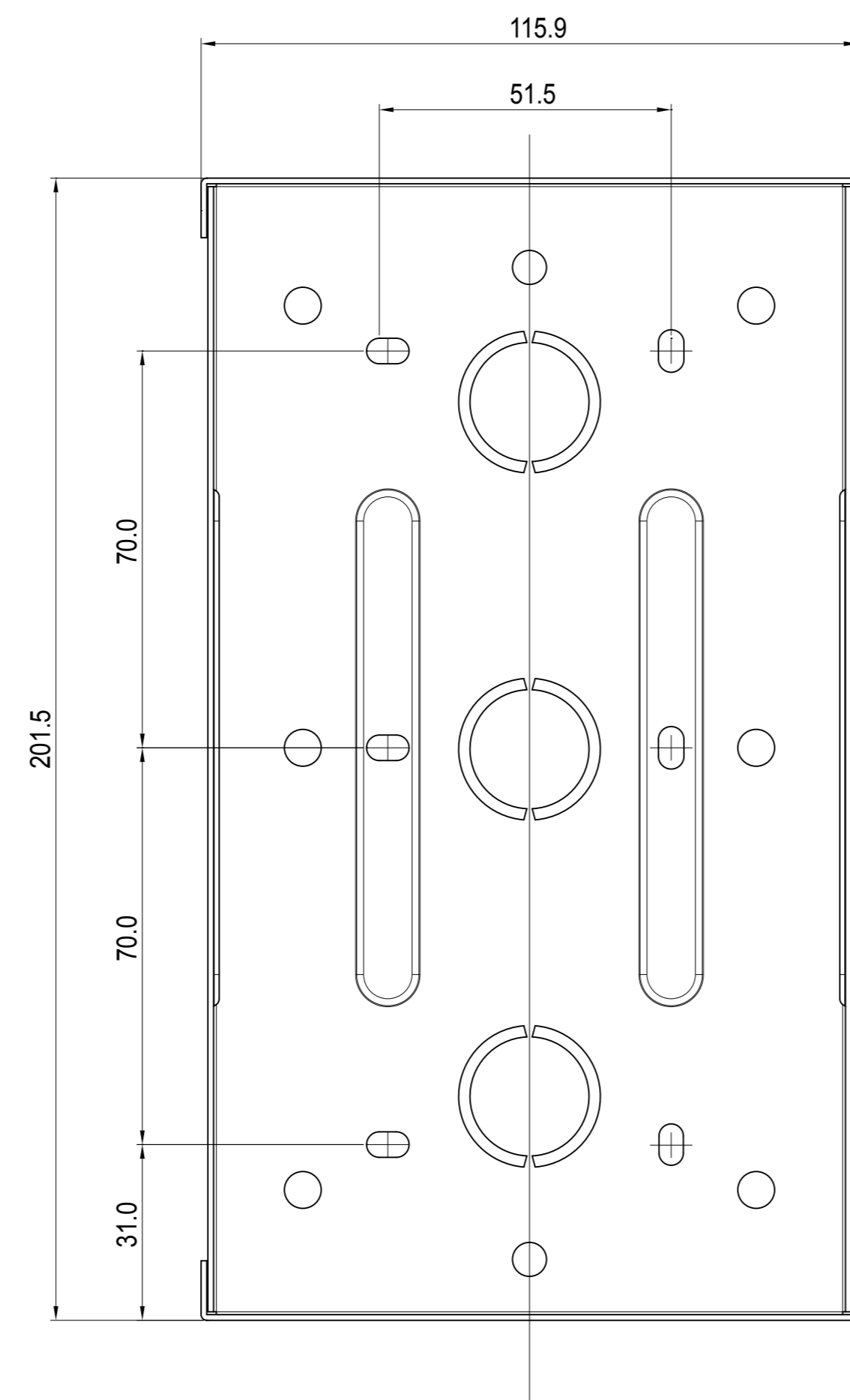
3 of 4



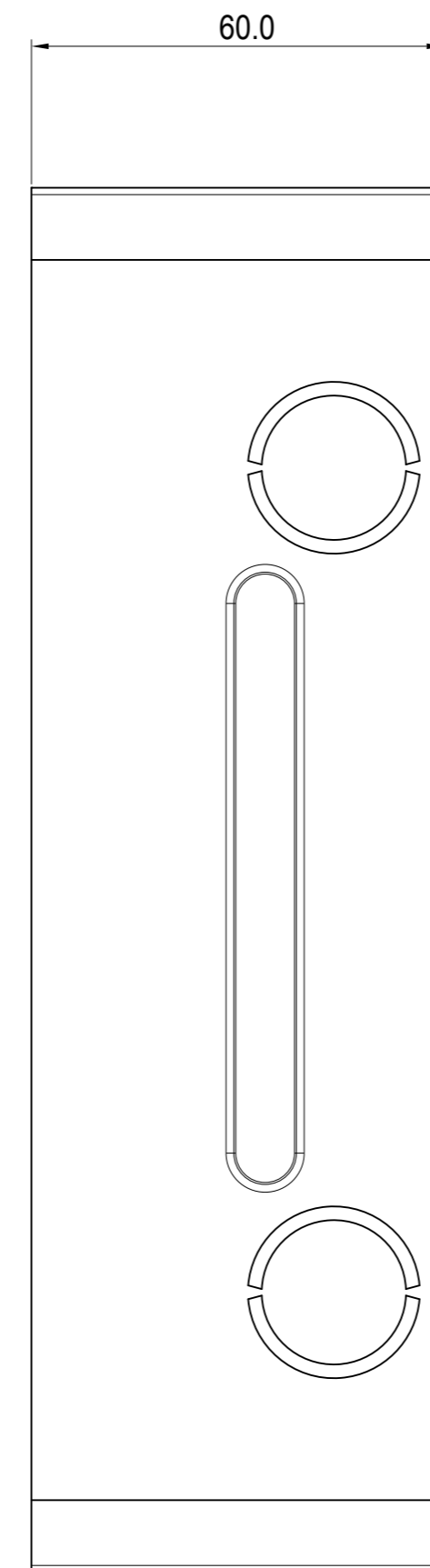
5 TOP VIEW



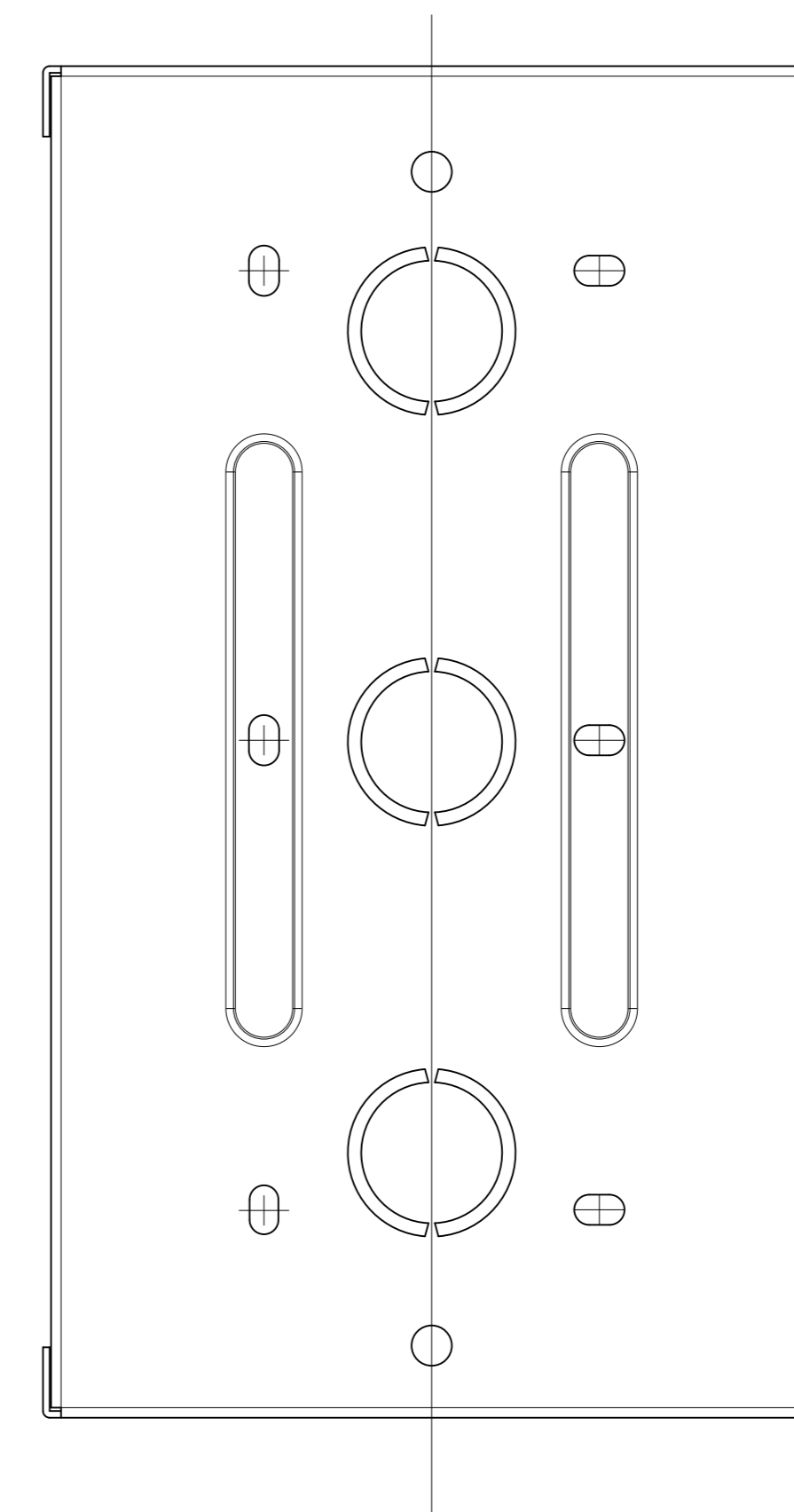
2 RIGHT VIEW



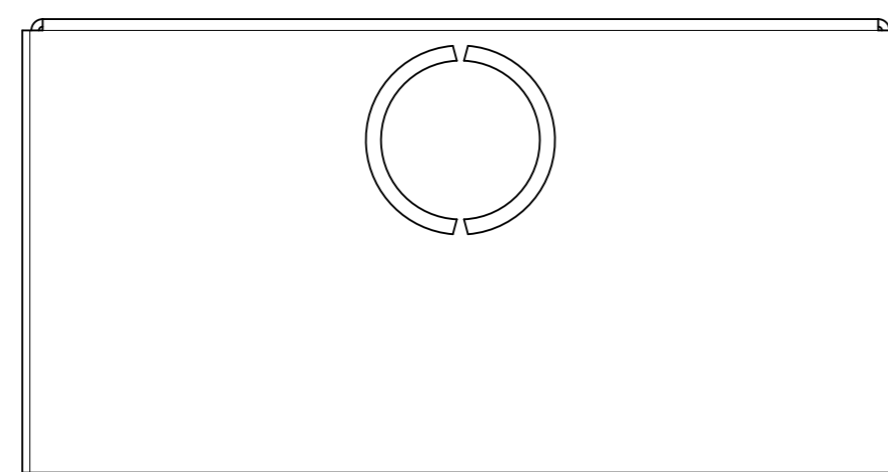
1 FRONT VIEW



3 LEFT VIEW



4 BACK VIEW



6 BOTTOM VIEW

Applicable Model

R23C
(Flush Mounting)

Drawing Title

Placement

Drawing Unit

mm

Drawing Scale

Not to scale

**DRAFT
SUBJECT TO
CHANGE**

Last Revised

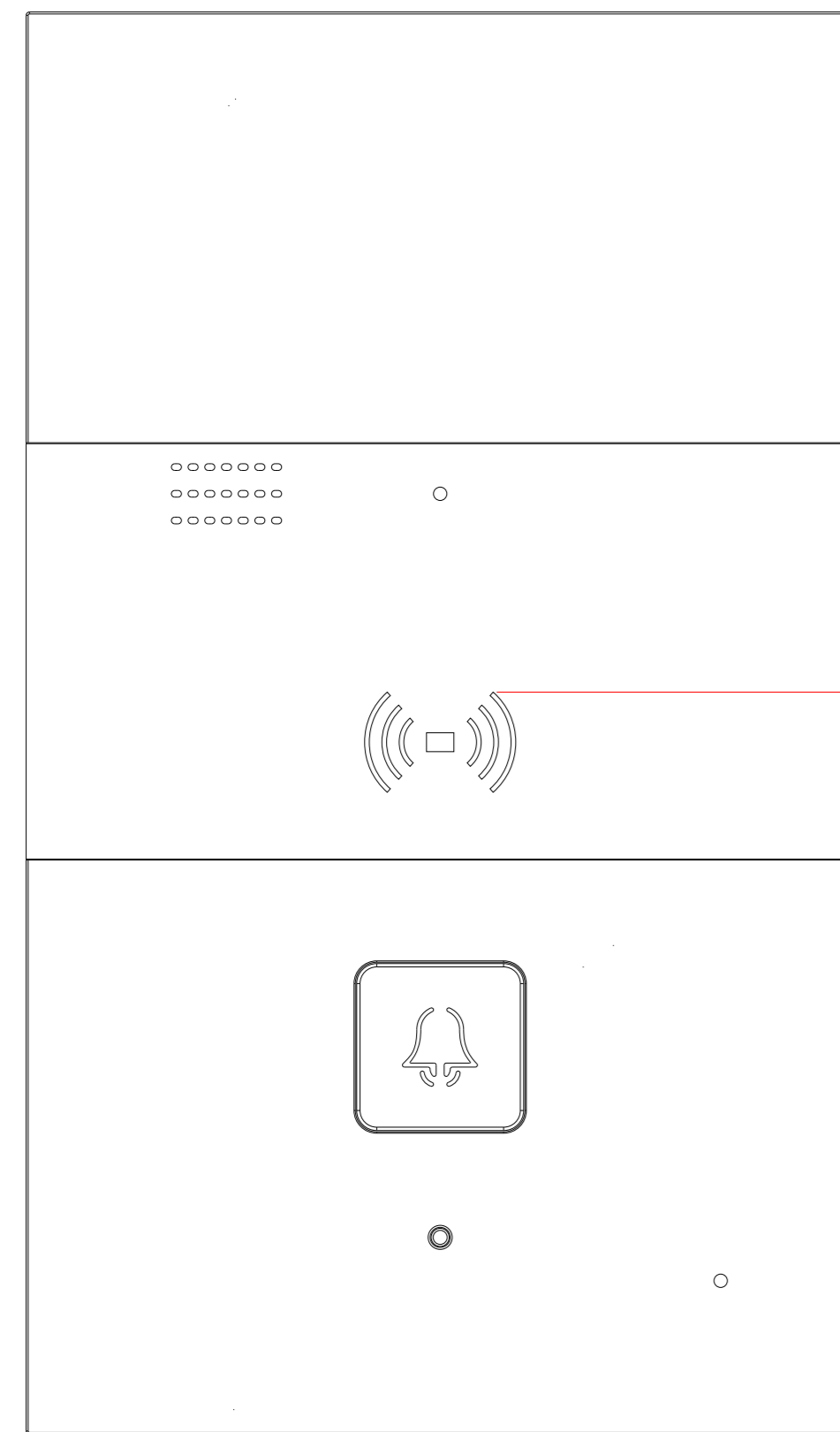
December 31,2019

Drawing Version

V1.0

Page

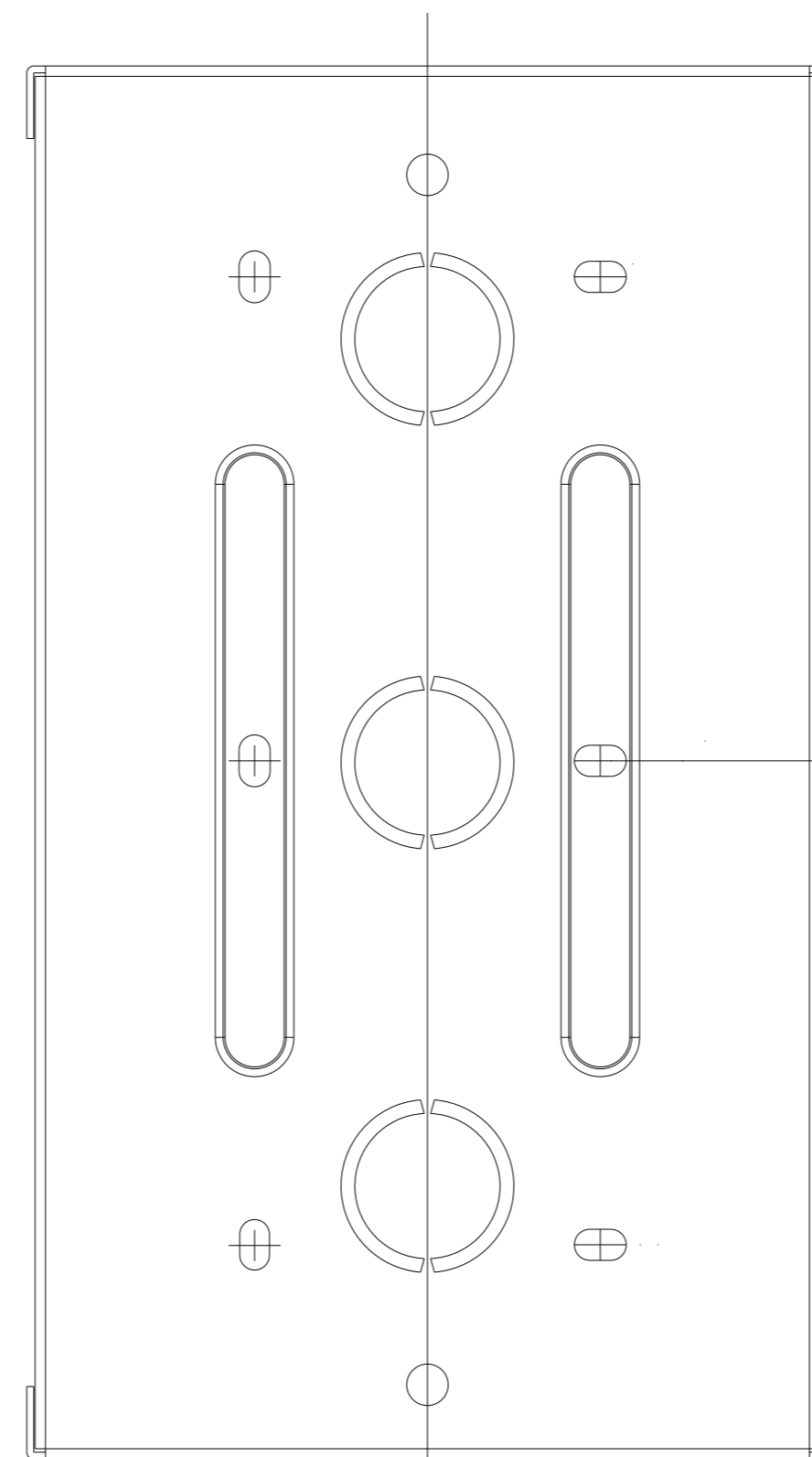
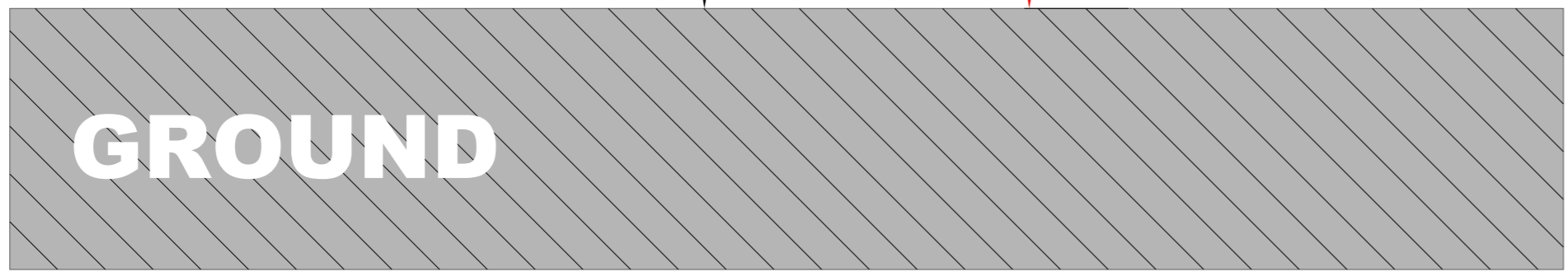
4 of 4



1111mm TO BOTTOM OF PANEL

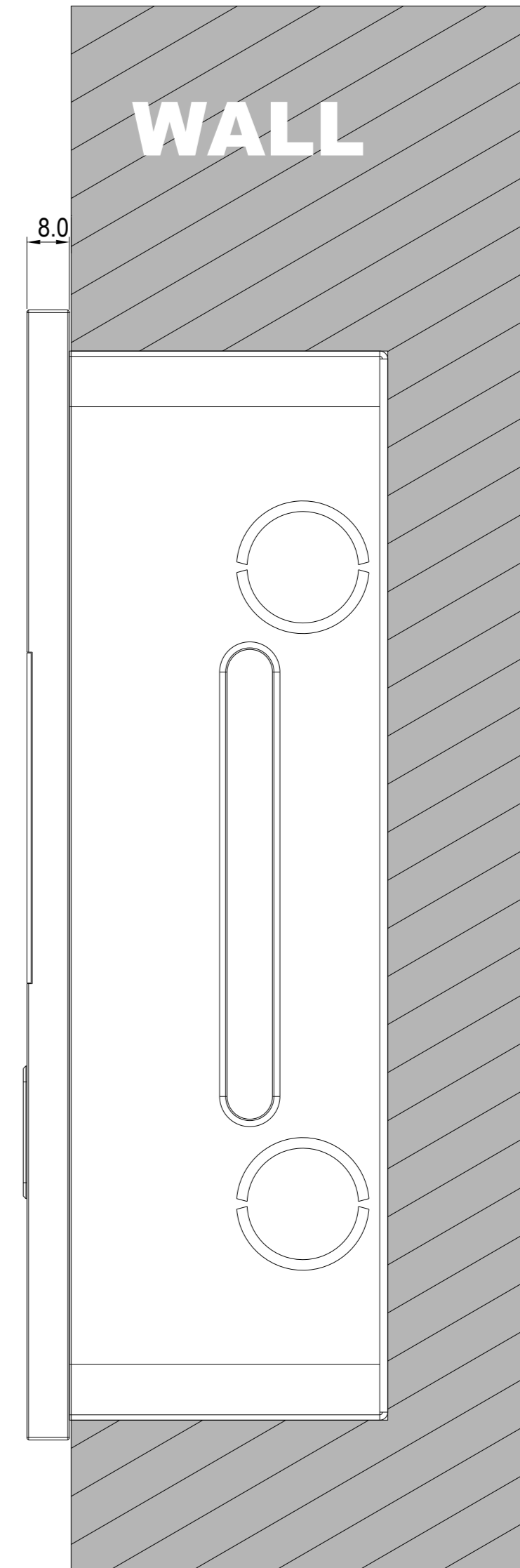
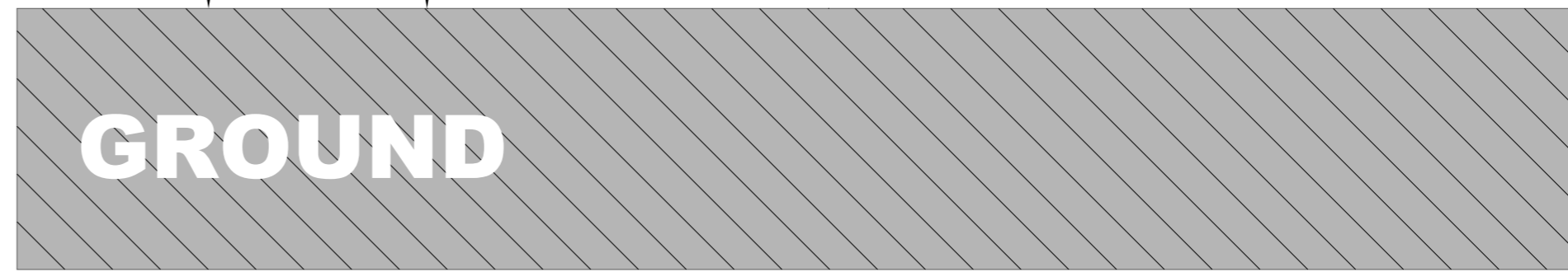
1220mm MAX TO TOP OF USABLE PARTS

ADA Compliance Requirement



1117mm TO BOTTOM OF CASE

1218mm TO SCREW HOLE CENTER OF CASE



8.0

WALL