

Applicable Model

E11

Drawing Title

Intercom Panel

Drawing Unit

mm

Drawing Scale

Not to scale

**DRAFT
SUBJECT TO
CHANGE**

Last Revised

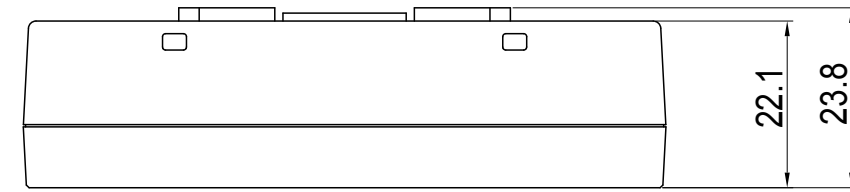
December 17,2019

Drawing Version

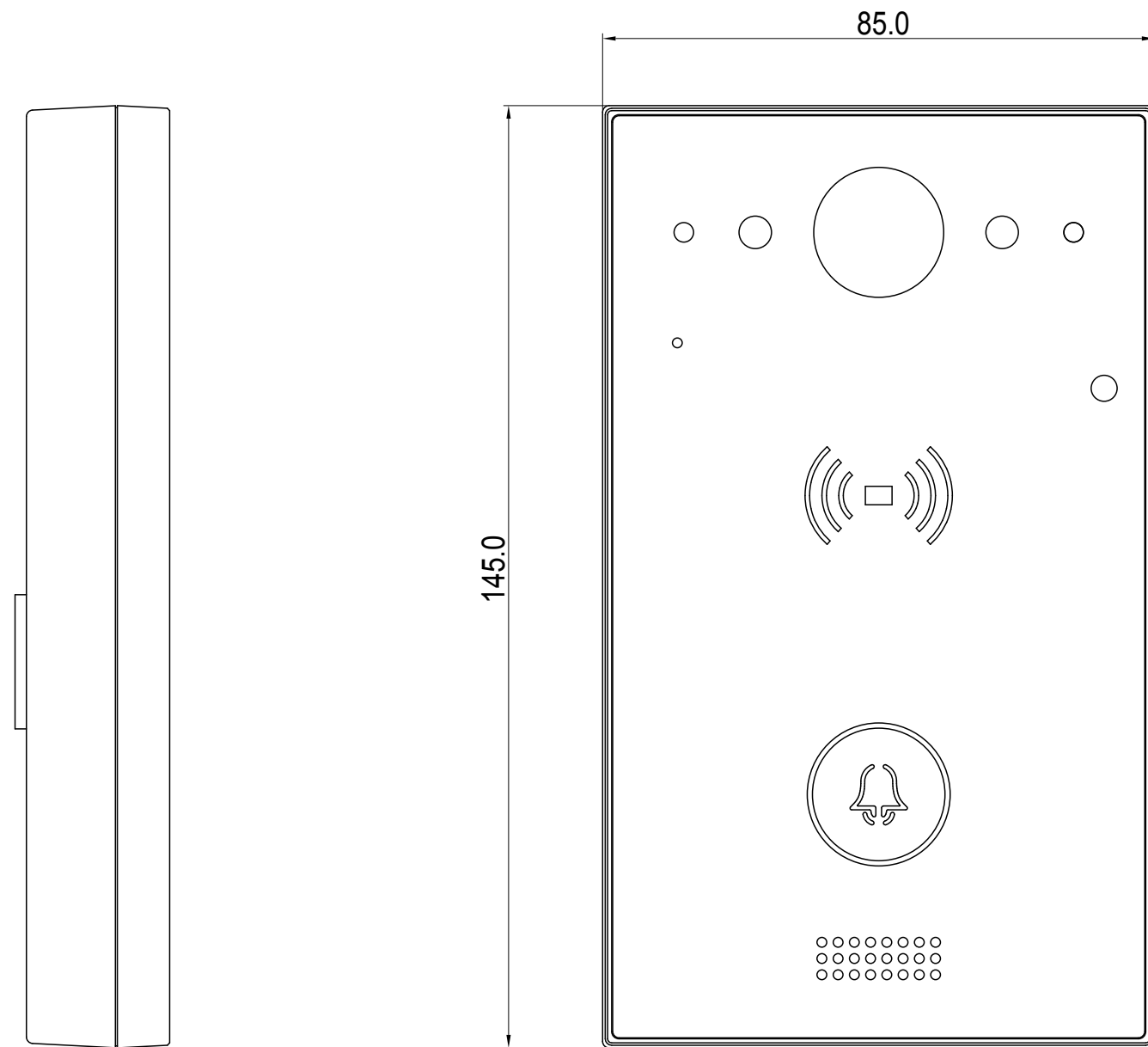
V1.0

Page

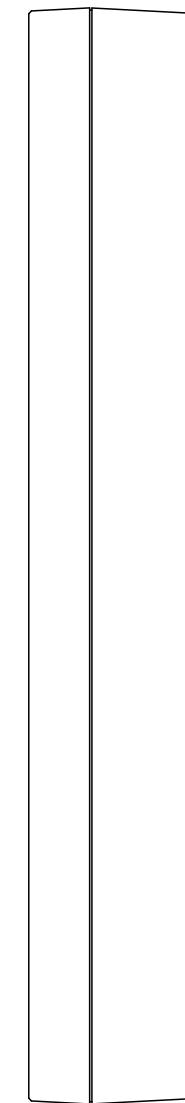
1 of 3



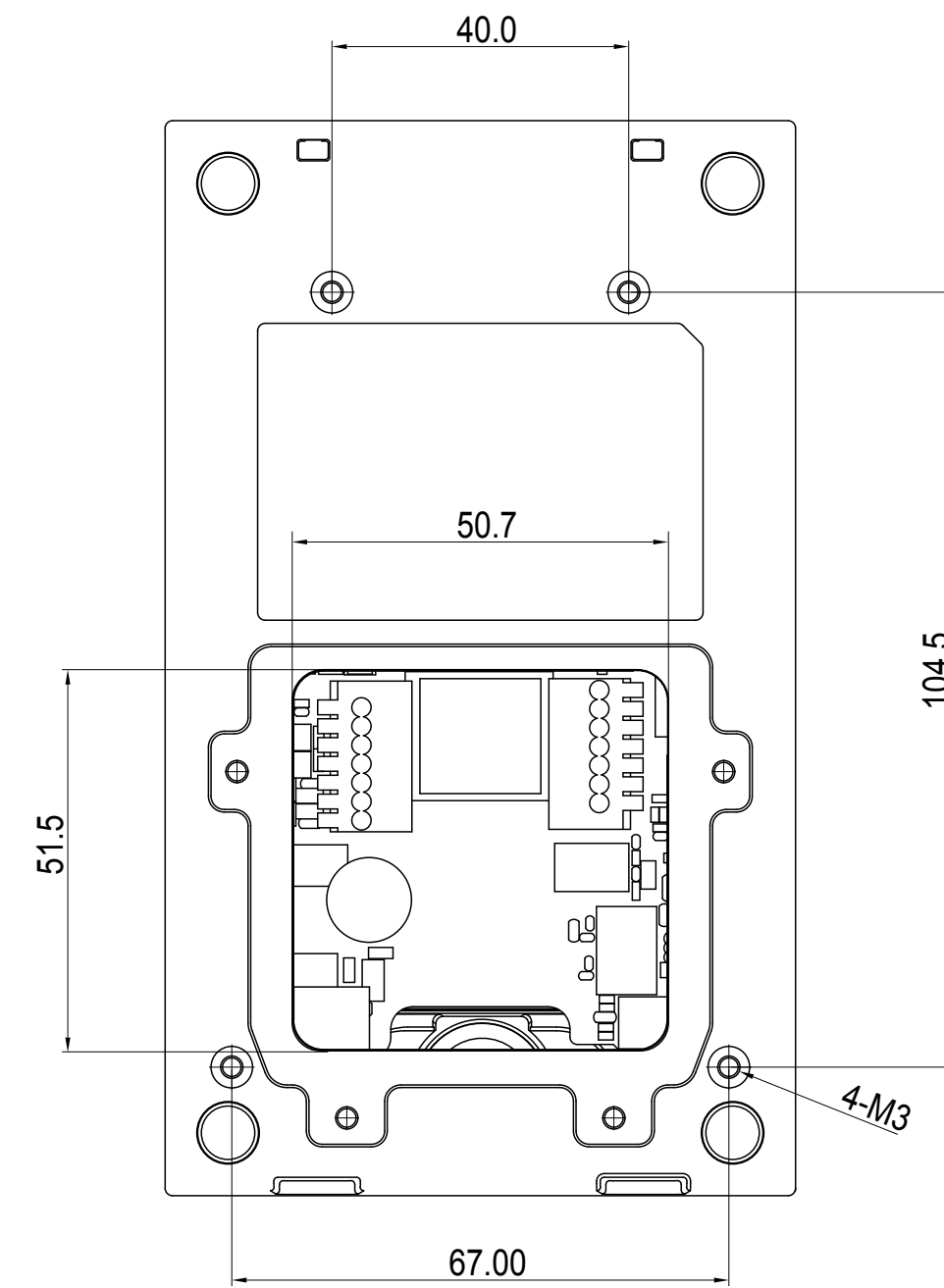
5 TOP VIEW



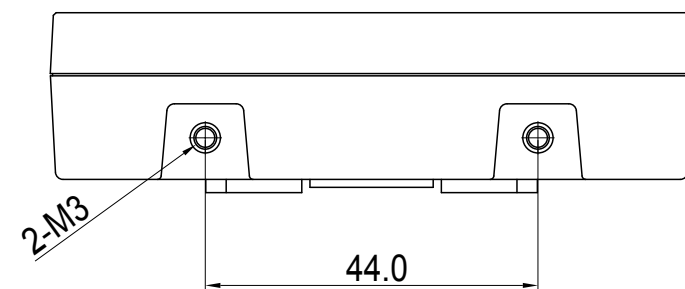
1 FRONT VIEW



3 LEFT VIEW



4 BACK VIEW



6 BOTTOM VIEW

2 RIGHT VIEW

Applicable Model

E11

Drawing Title

Wall Mounting Bracket

Drawing Unit

mm

Drawing Scale

Not to scale

**DRAFT
SUBJECT TO
CHANGE**

Last Revised

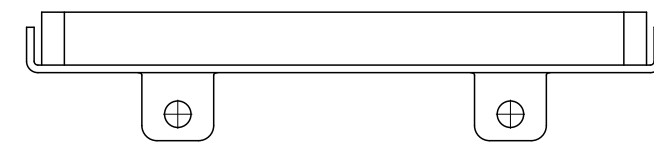
December 17,2019

Drawing Version

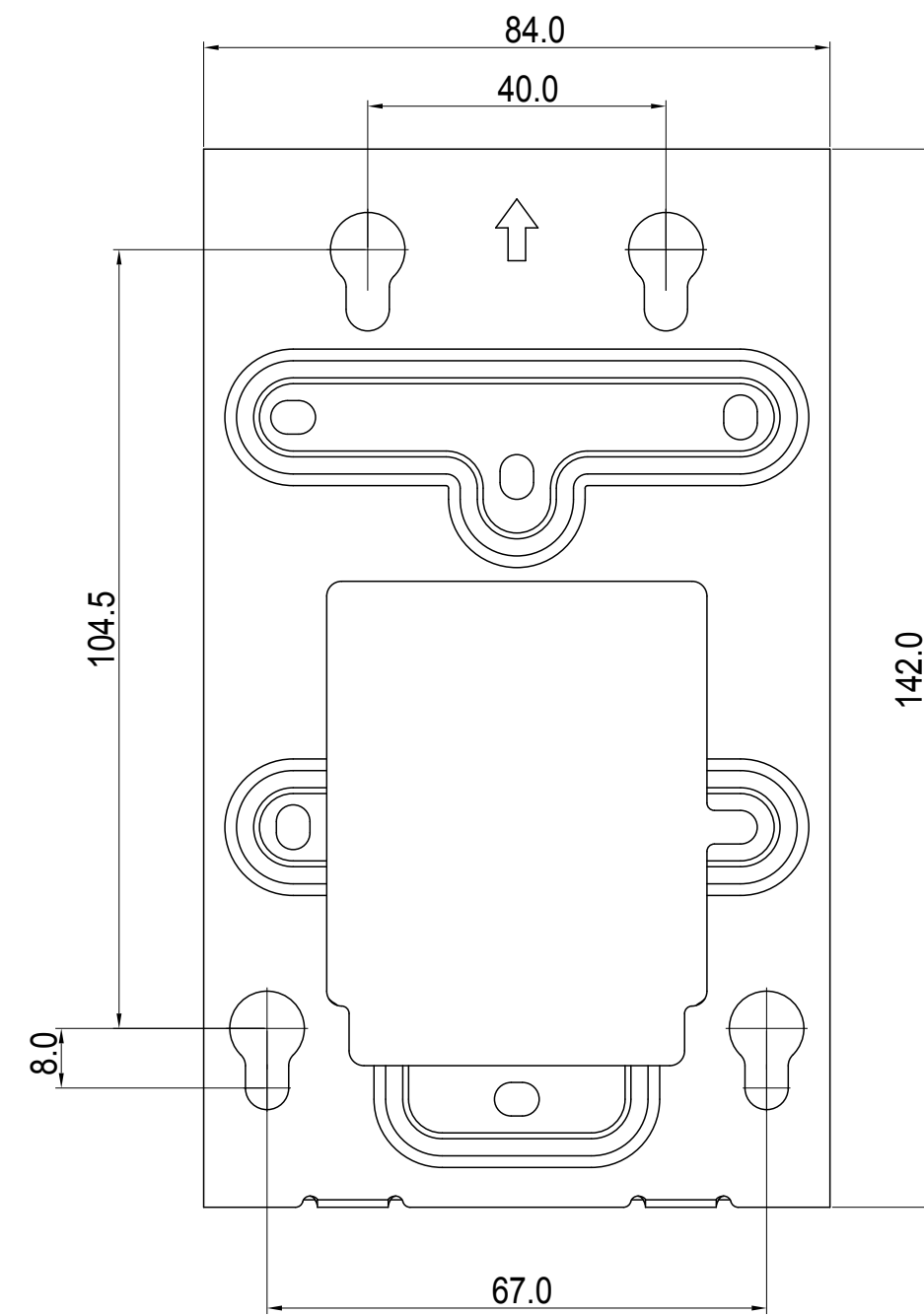
V1.0

Page

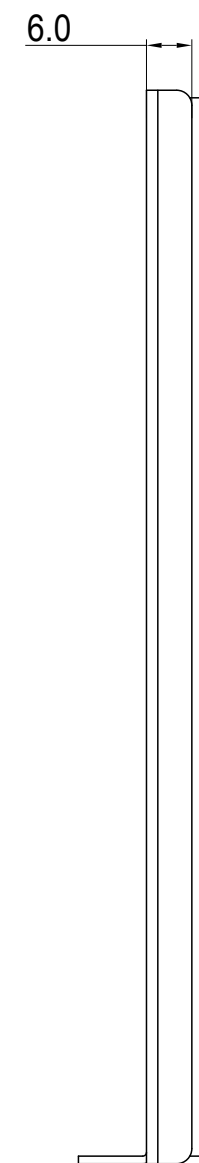
2 of 3



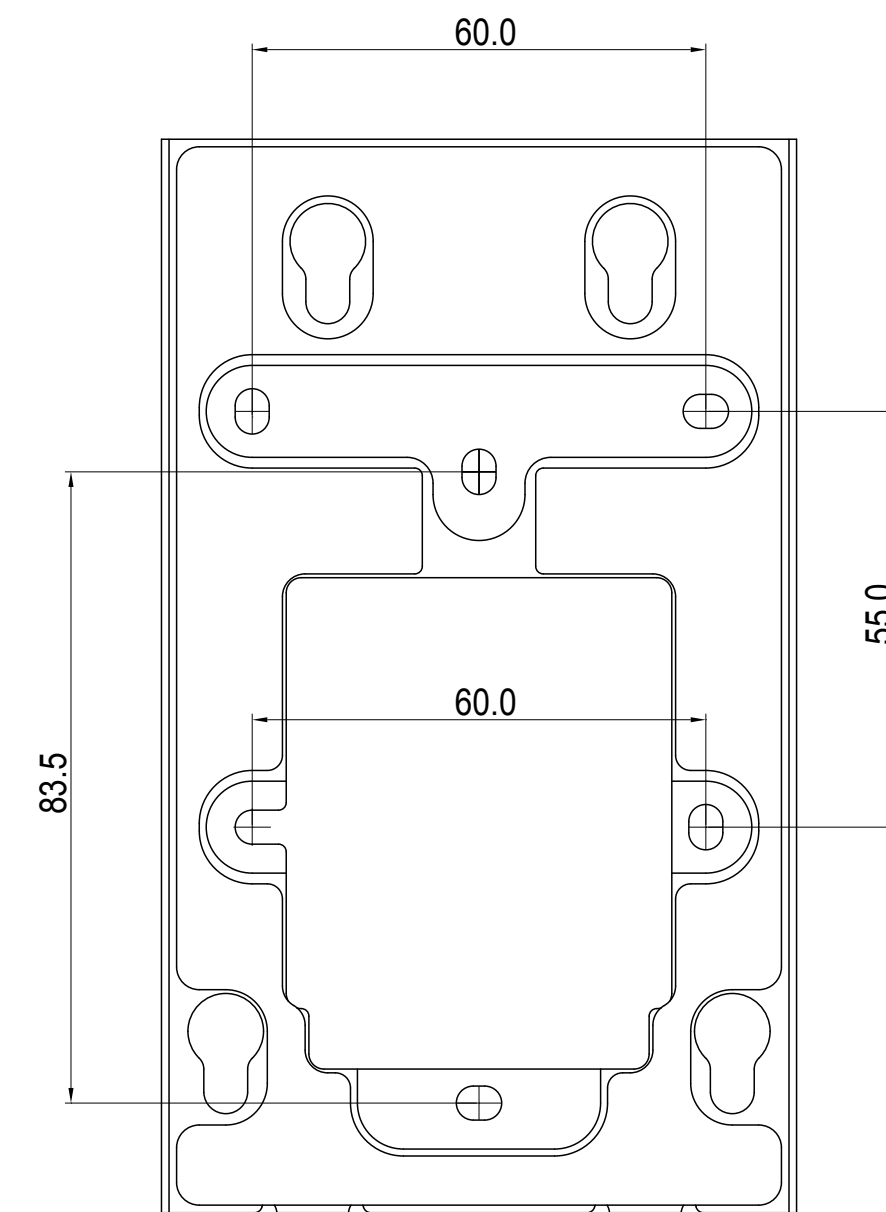
5 TOP VIEW



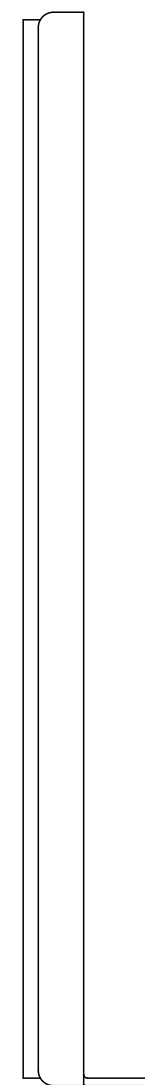
1 FRONT VIEW



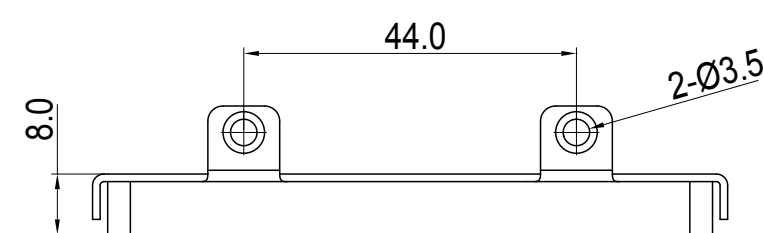
3 LEFT VIEW



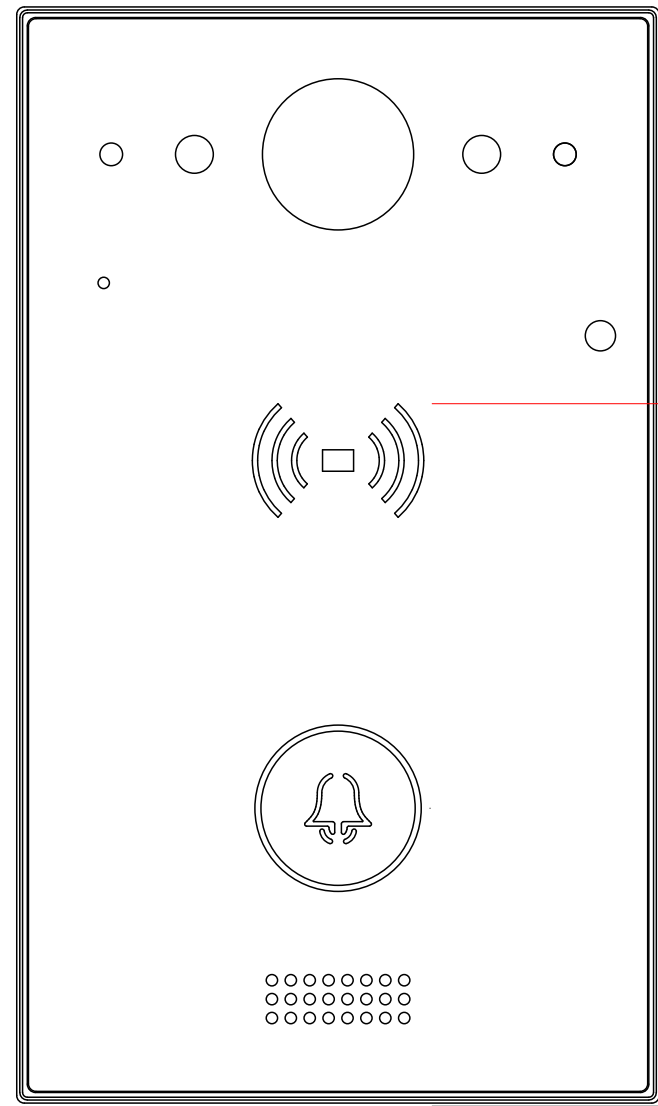
4 BACK VIEW



2 RIGHT VIEW



6 BOTTOM VIEW



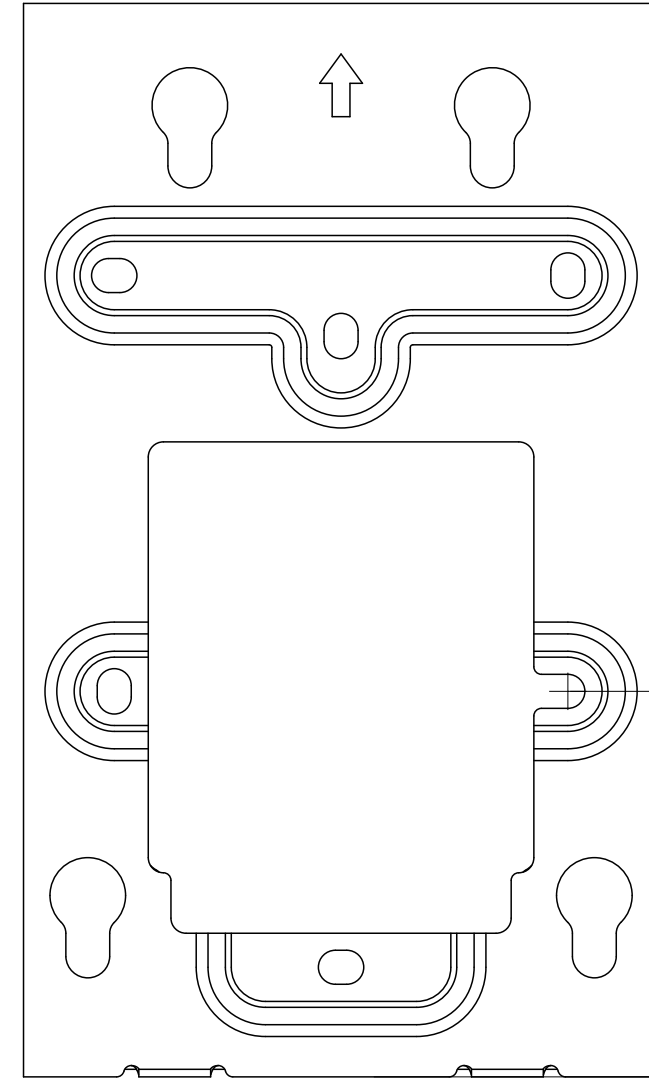
1 INTERCOM PANEL FRONT VIEW

1160.6mm TO BOTTOM OF PANEL

1252.5mm MAX TO TOP OF USABLE PARTS

ADA Compliance Requirement

GROUND

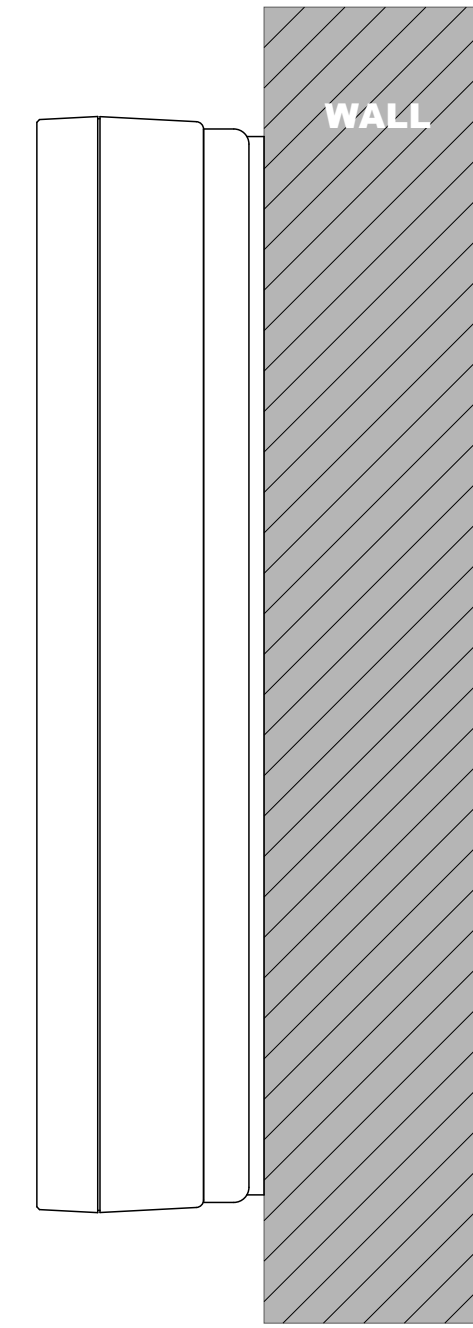


2 FRONT VIEW:WALL MOUNTING BRACKET PLACEMENT

1162.35mm TO BOTTOM OF BRACKET

1213.35mm TO SCREW HOLE CENTER OF BRACKET

GROUND



3 SIDE VIEW:INTERCOM PANEL ON WALL

Applicable Model

E11

Drawing Title

Placement

Drawing Unit

mm

Drawing Scale

Not to scale

**DRAFT
SUBJECT TO
CHANGE**

Last Revised

December 17,2019

Drawing Version

V1.0

Page

3 of 3